

Stravibase Fix^{*}

Datasheet

Stravibase Fix is a general [elastic isolation fixation](#) principle which guarantees total vibration decoupling from a non-isolated structure (suspended) to another isolated structure (supporting) which it is connected to in order to provide stability. If correctly designed it provides an effective reduction in noise and vibration energy transmission.

Stravibase Fix system comprises 3 components:

- The isolator: resilient bearing located between the structures which are to be decoupled.
- The stabilizer(s): located in each fastening element to decouple them from the isolated structure whilst allowing the necessary torque load.
- The elastomer sleeves: located inside the fixing hole to decouple the fixing from the isolated structure.



SYSTEM FEATURES

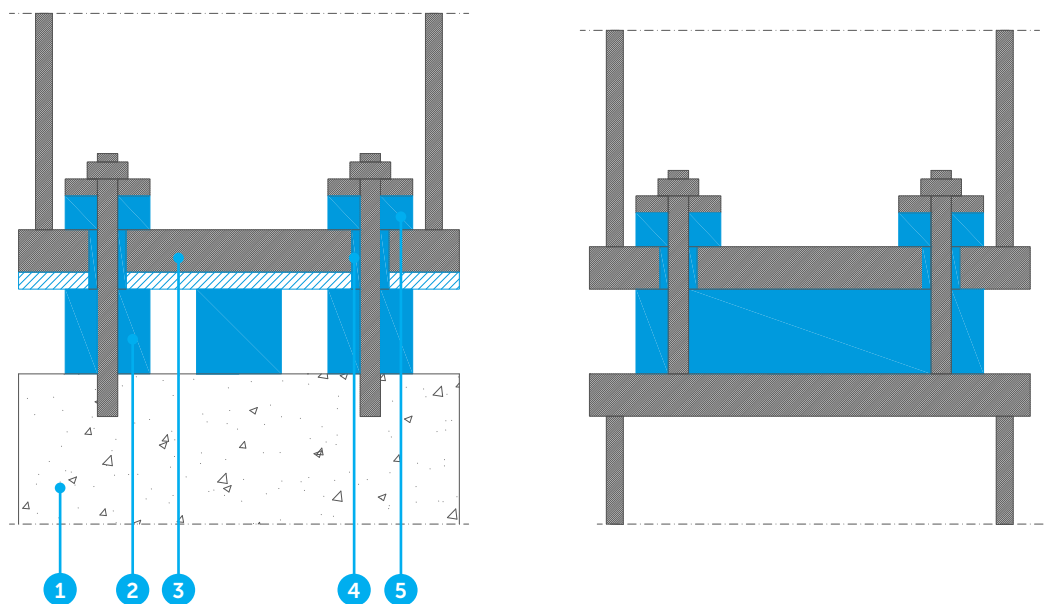
- Stravibase Fix is a bespoke system which can be designed to accommodate any size or acoustic load and is compatible with any type of construction
- Natural frequencies of 4-20Hz can be achieved by using either spring or elastomer isolators
- Installation can be horizontal or vertical
- Quick and easy to install
- Provides a high degree of structural stability and up-lift force resistance due to the precompression controlled device
- High shear stiffness for lateral force stability

Note: in order to specify the correct Stravibase Fix system our engineers will need to know the required natural frequency, working dead and live loads, available surface, fastening elements locations and pre-compression forces.

*Previously known as CDM-FIX



TYPICAL ASSEMBLIES



1. Supporting structure
2. Isolator
3. Decoupled structure
4. Washer
5. Stabiliser

DISCLAIMER

This information is accurate to the best of our knowledge at the time of issue. Information, data and recommendations provided are based on industry accepted testing and prior product usage. It is intended as descriptive of the general capabilities and performance of our products and does not endorse applicability for any particular project. We reserve the right to change products, performance, and data without notice. This document replaces all information supplied prior to the publication hereof.