

Stravimech Fix^{*}

Datasheet

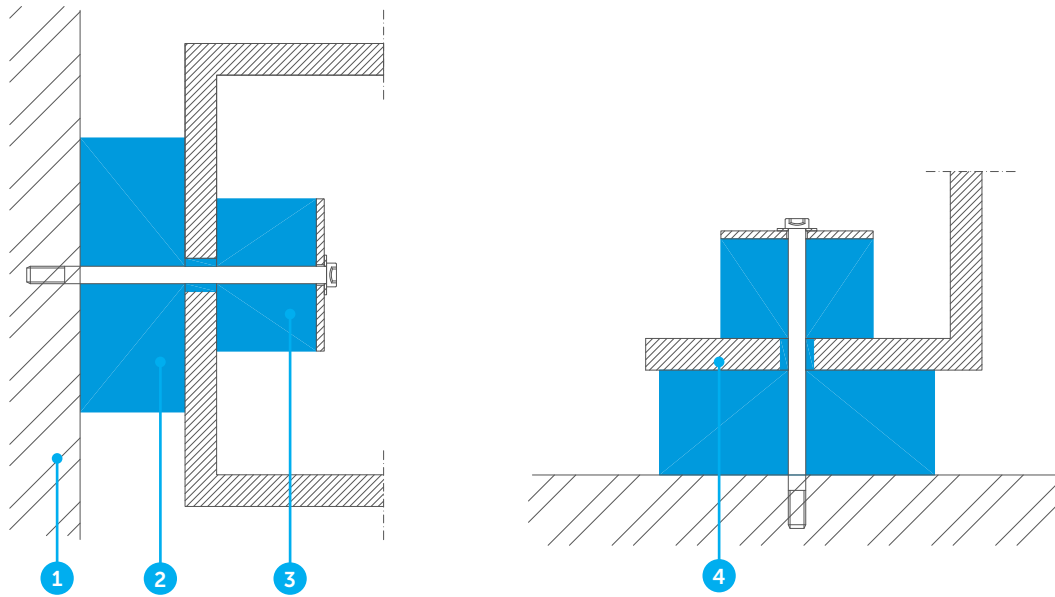
Stravimech Fix are [elastomer or spring isolation supports](#) for machines designed to minimise the vibration transmitted from a machine to its' support.



SYSTEM FEATURES

- Quick and easy to install
- Can be used to support all types of machines
- Both elastomer bearings and metal springs can be used, depending on the desired natural frequency or isolation criteria
- The design of the Stravimech Fix will be carried out by CDM Stravitec's engineers using the following information:
 - Weight and size of the machine to be supported on the Stravimech Fix supports and the load distribution on the different supporting points, if available
 - The dynamic loads generated by the machine
 - The required vibration isolation performance criteria or natural frequency specification

*Previously known as CDM-MACHINE-FIX



1. Supporting structure
2. Isolator
3. Stabilizer
4. Decoupled structure

DISCLAIMER

This information is accurate to the best of our knowledge at the time of issue. Information, data and recommendations provided are based on industry accepted testing and prior product usage. It is intended as descriptive of the general capabilities and performance of our products and does not endorse applicability for any particular project. We reserve the right to change products, performance, and data without notice. This document replaces all information supplied prior to the publication hereof.