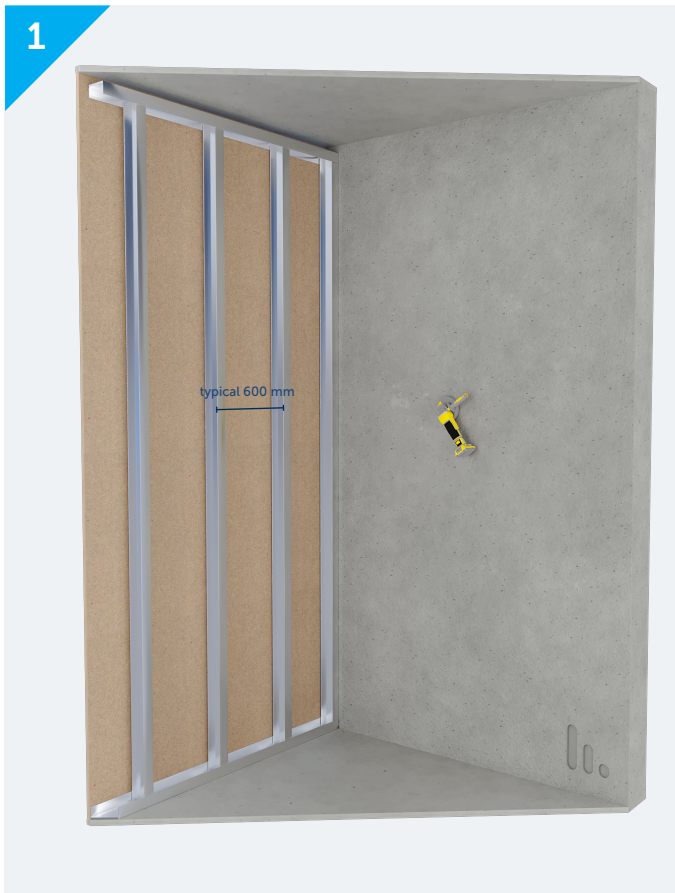
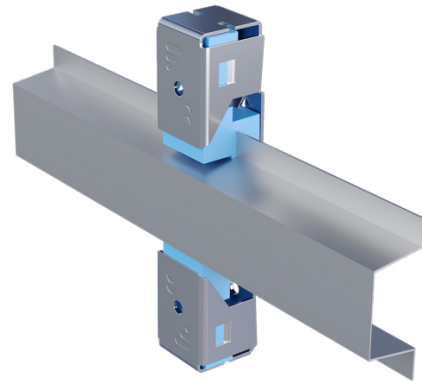


# Stravilink QRC

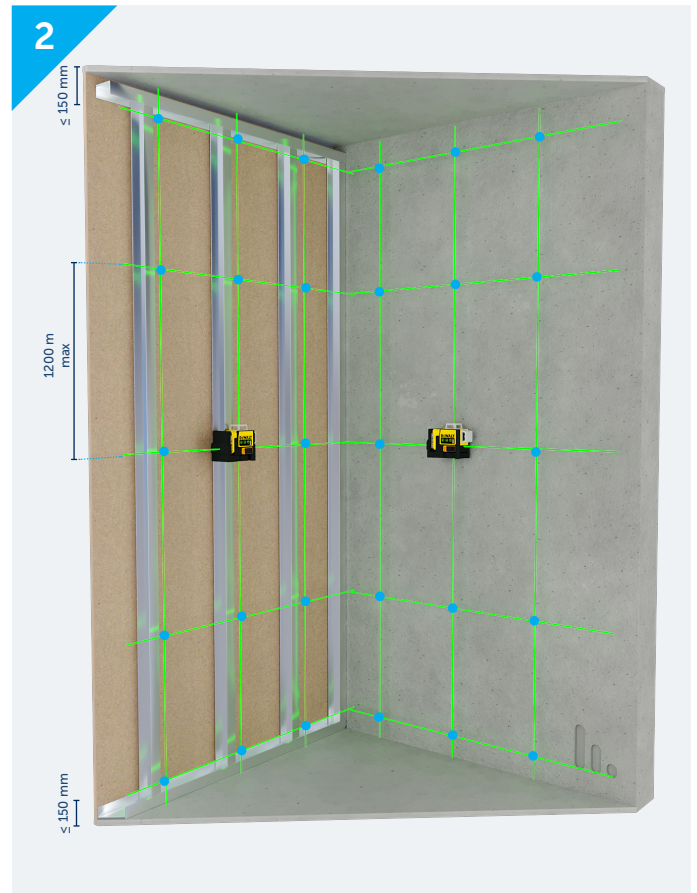
## Installation Manual

### Installation Tools and Components

- Ink marker
- Tape measure
- Laser level
- Battery powered screwdriver (with appropriate torque for substrate)
- Personal protective equipment (PPE)



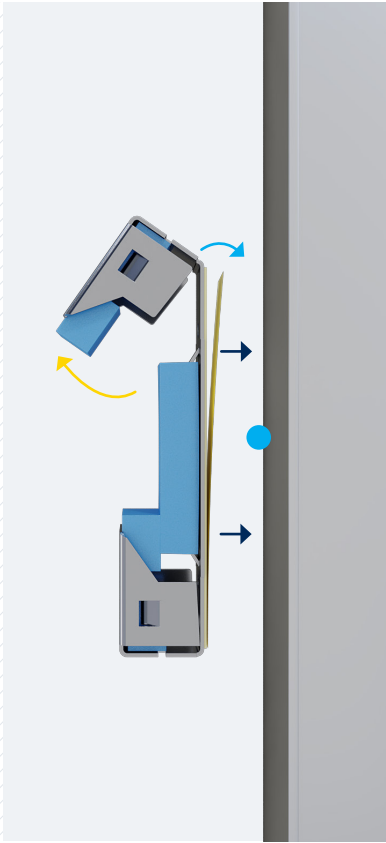
Ensure the wall or stud is level and free of protrusions, masonry may need grinding.



Laser level in the vertical and horizontal directions for Stravilink QRC layout and mark centers.

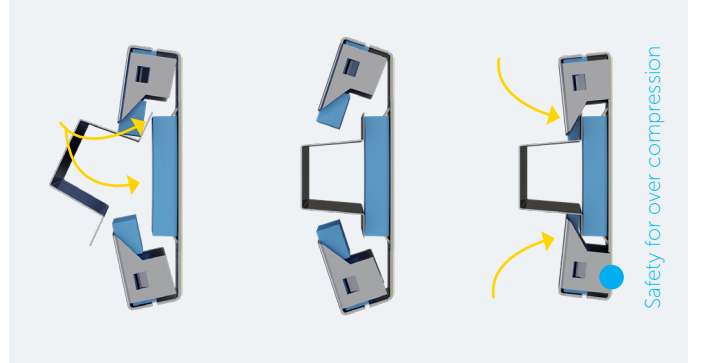
3

Open flanges on QRC;  
Peel the adhesive strip off;  
Place it vertically on the wall or stud;  
Press firmly to adhere.



4

Insert the omega (furring) channel into the Stravilink QRC clasp, as shown below.



Insert omega channel.

Bend Stravilink QRC to lock channel in place.

Screw it to wall until the failsafe touches the wall.

Safety for over compression

5



Insert insulation (if used) and fix plasterboards to the omega channel as per the plasterboard manufacturer's recommendation.

6



! Ensure no rigid contact with the surroundings to prevent acoustic bridging. Use non-setting mastic to seal.

## DISCLAIMER

This information is accurate to the best of our knowledge at the time of issue. Information, data and recommendations provided are based on industry accepted testing and prior product usage. It is intended as descriptive of the general capabilities and performance of our products and does not endorse applicability for any particular project. We reserve the right to change products, performance, and data without notice. This document replaces all information supplied prior to the publication hereof.