

# Stravilink ICH-S

## Installation Manual

### Installation Tools and Components

- Marker
- Tape measure
- Cross line laser
- Chalk line
- Drill or hammer drill (if masonry)
- Wrench/Ratchet
- Personal protective equipment (PPE)

## 1 / Supporting Ceiling & System Components

Ensure the supporting ceiling is physically sound, clean and dry prior to installation.

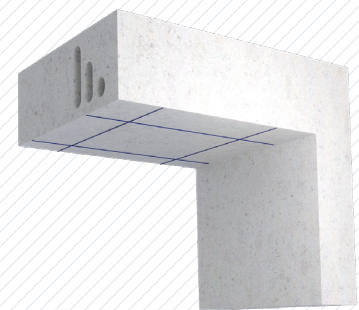
Remove the hangers from the box and confirm the load capacity of each isolator to ensure proper location in the grid. Shop drawings will identify the location of specific hangers by capacity rating.



Note: when installing the hangers directly against the above structure (see step 4a), the flatness of the structure behind the frame should be checked first. Ensure that the back of the frame will be fully supported.

## 2 / Square The Grid

Prior to installing the acoustic ceiling hangers a grid should be drawn onto the structural ceiling via cross line laser so that the intersection aligns with the hanger centers and lines run parallel to the ceiling framing members.



---

### 3a / Guide Holes & Anchors (Direct Mounting Method)

Predrill holes where the gridlines cross and install threaded anchors, ensuring that they are plumb, into which the fastener for the hanger will be located.



Note: consult the fastener manufacturer to identify the correct anchor for the substrate and for the intended load per hanger. To be confirmed by SEOR to ensure local codes are met.

---

### 3b / Guide Holes & Rods (Suspension Mounting Method)

Alternatively, Stravilink ICH-S acoustic ceiling hangers can be attached to steel threaded rods (max. outer diameter of 1/2" (12 mm)) coming directly from the supporting ceiling.



Note: consult the fastener manufacturer to identify the correct anchor for the substrate and for the intended load per hanger (see note above).

---

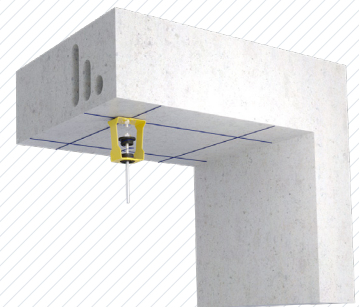
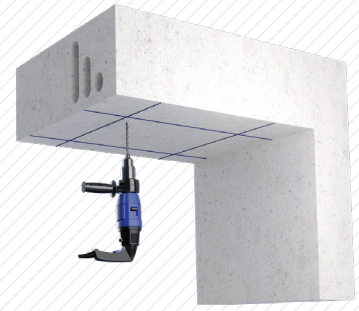
### 3c / Guide Holes & Wire Hangers (Suspension Mounting Method)

Alternatively, Stravilink ICH-S acoustic ceiling hangers can be used in combination with wire to suspend the ceiling grid.

---

### 4a / Stravilink ICH-S Direct Mounting Method

Install the Stravilink ICH-S hanger by threading the threaded rod/bolt through the hole at the top of the hanger and into the threaded anchor. Ensure that all rods/bolts/nuts are tightened properly and that all frames are kept plumb.



#### 4b / Stravilink ICH-S Suspension Mounting Method

Cut the threaded rod to the required length (allowing for lost bar inside the anchor). Hang the acoustic Stravilink ICH-S hangers from the threaded rods by sliding them over the rods and fixing them securely into place with a locking nut.



Note: ensure there is no contact between the rod/nut securing the frame to the structure and the rod/nut supporting the ceiling (step 5a) as this will result in acoustic bridging.

Secure hangers above and below with nut and washer in order to minimize movement, especially in seismic locations.

#### 4c / Stravilink ICH-S Wire Suspension Mounting Method

Mount the hanger on the desired height using wire and an eyebolt (max. outer diameter of 1/2" (12 mm)). Secure the eye bolt with the correct nut and washer onto the Stravilink ICH-S hanger.



Note: ensure that there is no contact between the eyebolt/nut fixing the hanger to the ceiling and the eyebolt/nut inserted through the bottom hole (step 5a) as this will result in acoustic bridging.

#### 4d / Rivet Nut Optional Accessory Mounting Method

Cut the threaded rod to the required length (allowing for lost bar inside the anchor). Hang the acoustic Stravilink ICH-S hangers from the threaded rods by using the internal thread of the frame, screwing the Stravilink ICH-S onto the rod.



Note: ensure there is no contact between the rod/nut securing the frame to the structure and the rod/nut supporting the ceiling (step 5a) as this will result in acoustic bridging.

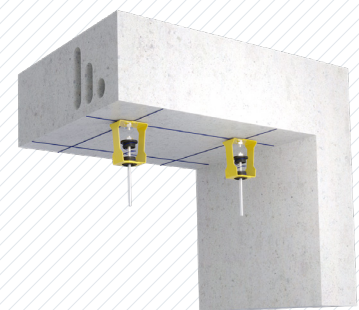
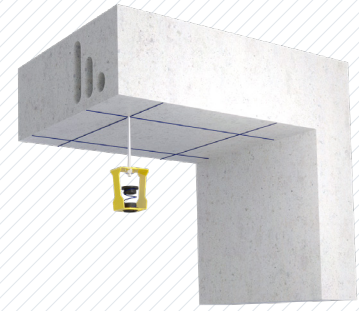
#### 5a / Insert The Threaded Rods

Insert the relevant fastener or threaded rod designed to support the suspended ceiling through the bottom hole of the hangers and secure with a locking nut.



Notes:  
When using top and bottom threaded rods always ensure they do not come in contact, as this will cause an acoustic hard connection.

In case of precompressed hangers, the precompression should be less than the final weight of the suspended ceiling.



---

## 5b / Precompression Attachment Option

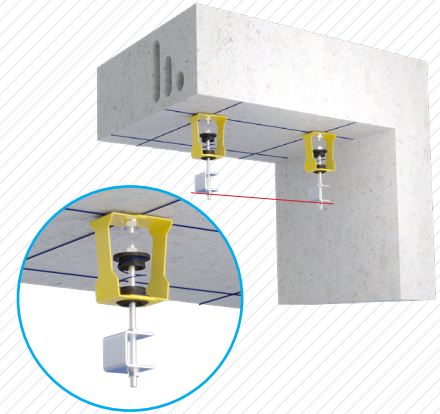
In case of precompressed springs, use the coupling nut to insert the relevant fastener or threaded rod designed to suspend the ceiling.



---

## 5c / CRC Clip (Optional Accessory)

The CRC clip can be installed on the threaded rods, using the correct nuts. Use a laser level to check all clips are level and adjust as necessary. The CRC clip can be ordered as an option together with the Stravilink ICH-S hanger.

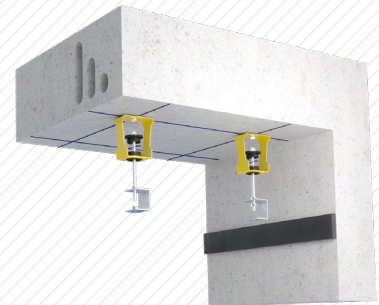


---

## 6 / Perimeter Isolation

All walls, columns and service penetrations through the suspended ceiling should be isolated using the self-adhesive backed perimeter isolation strip.

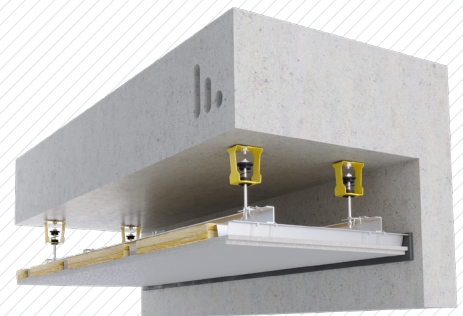
The same perimeter isolation strip should be used to isolate the suspended ceiling from the adjacent walls. Perimeter Strip should be mounted on the wall at the height of the final drop ceiling ensuring that all ceiling layers and framing will be isolated from the wall.



---

## 7 / Install The Suspended Ceiling

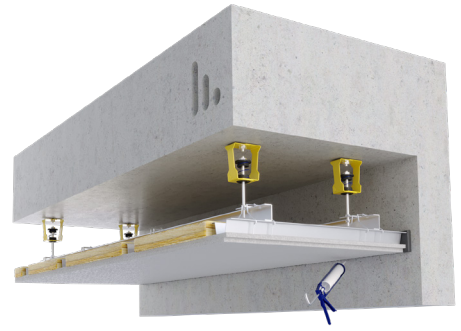
The suspended ceiling can be installed to the underside of the hangers per project specifications.



---

## 8 / Trim & Caulk Perimeter

Trim off any excess of the Perimeter Strip and seal the underside of it with flexible caulking.



### DISCLAIMER

The documentation prepared by CDM Stravitec (including but not limited to installation guidelines) contain generally accepted procedures for a successful installation of Stravilink ICH-S for acoustically isolated ceiling hanger. Any part of the suggestions presented herein, or other documentation, may be followed, modified, or rejected by the owner, engineer, contractor, and/or their representative(s) since they, and not CDM Stravitec, are responsible for planning and execution procedures appropriate to a specific application. CDM Stravitec reserves the right to alter in part or in whole the documentation prepared as well as any recommendations included. It is the responsibility of the Client (direct or indirect) to ensure they have always the latest documentation and to that effect CDM Stravitec encourage contact with its local representatives to review any project specific modifications to the suggested guidelines prior to the start of the installation on site.

This information is accurate to the best of our knowledge at the time of issue. Information, data and recommendations provided are based on industry accepted testing and prior product usage. It is intended as descriptive of the general capabilities and performance of our products and does not endorse applicability for any particular project. We reserve the right to change products, performance, and data without notice. This document replaces all information supplied prior to the publication hereof.