

Straviwood WallBracket Datasheet



Straviwood WallBracket is an angle bracket for structural joints with acoustical decoupling features thanks to an excellent behaviour of resilient pads in the bracket giving a significant reduction of flanking sound transmissions. The bracket is ideal for CLT constructions where shear and vertical load distribution between structural elements is intended.



CHARACTERISTICS

- Ideal for wall-floor decoupling in CLT constructions
- Suited for all wood-based materials
- Compression via foolproof system
- No additional tooling required for correct installation
- Galvanized steel
- Height: 120 mm



PHYSICAL & MECHANICAL PROPERTIES

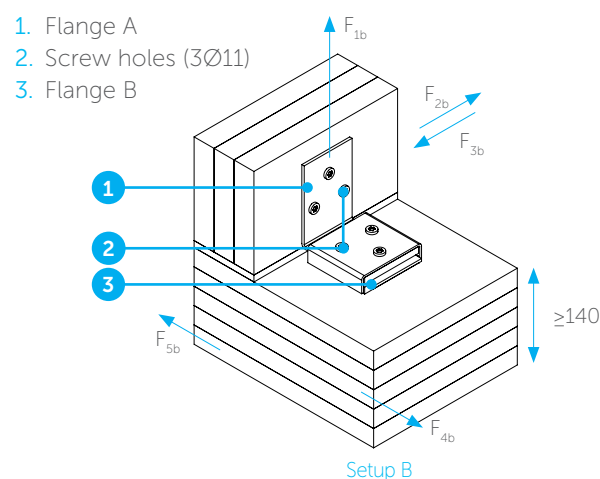
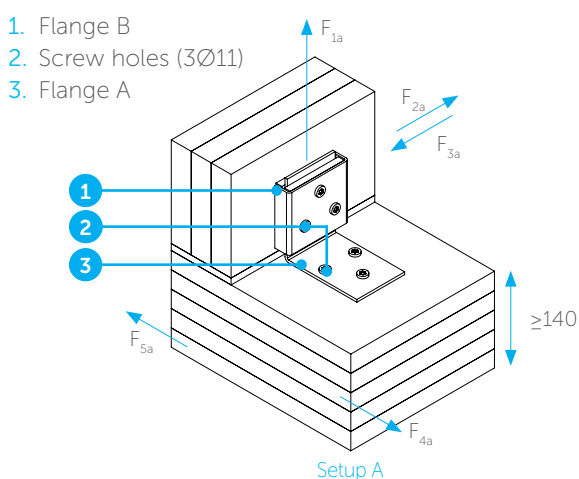
Length (mm)	Width (mm)	Height (mm)	Fastening Holes		t (mm)
			Flange A	Flange B	
120	100	120	3Ø11	3Ø11	4



CHARACTERISTIC VALUES

- Characteristic value per connection.
- Valid for 1 bracket per connection; timber to timber.
- Applicable in service class 1 & 2 (EN 1995-1-1:2004+A1:2008).
- Referential values valid when using 3 HECO-TOPIX-plus 10x100, flange head screws (ETA-19/0553) per flange, and CLT C24 of 120 mm thickness with 3 layers of 40 mm.
- Extension of these values to other fasteners or other CLT types should be assessed according to the existing regulations by the structural engineer of the specific project.
- The amount of brackets per linear meter needs to be calculated on a project basis by the structural engineer.

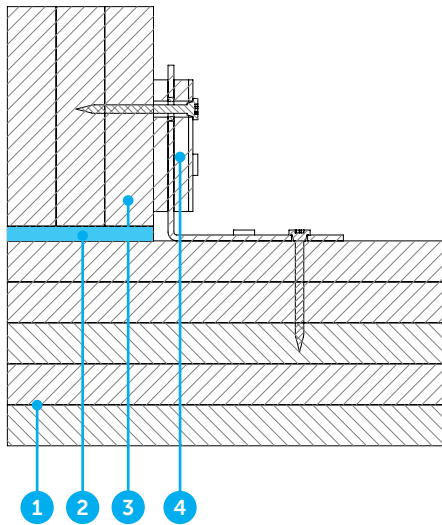
	R _{1,k} [N]	K _{ser,1} [N/mm]	R _{2/3,k} [N]	K _{ser,2/3} [N/mm]	R _{4,k} [N]	K _{ser,4} [N/mm]	R _{5,k} [N]	K _{ser,5} [N/mm]
Setup A	6391	664	5746	463	7783	579	11130	799
Setup B	7783	579	5746	463	6391	664	13683	1526



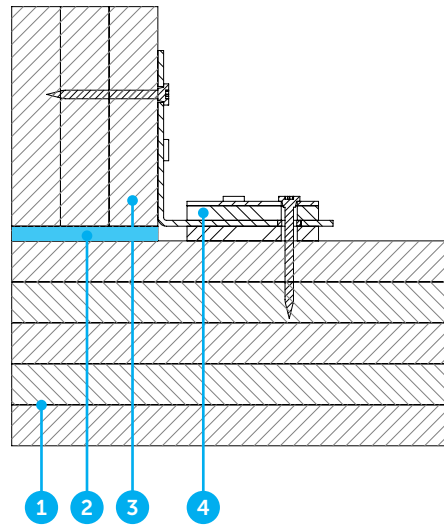


TYPICAL ASSEMBLIES

1. Structural CLT floor
2. Straviwood WallBreak-S



3. CLT wall
4. Straviwood WallBracket



DISCLAIMER

This information is accurate to the best of our knowledge at the time of issue. Information, data and recommendations provided are based on industry accepted testing and prior product usage. It is intended as descriptive of the general capabilities and performance of our products and does not endorse applicability for any particular project. We reserve the right to change products, performance, and data without notice. This document replaces all information supplied prior to the publication hereof.