

Stravilink QRC^{*}

Datasheet

Stravilink QRC is a [Isolated Ceiling System](#) designed to isolate a standard ceiling channel therefore optimising sound insulation between vertically stacked rooms.



BENEFITS

- Cost effective
- Quick and easy to install
- Profiles are mechanically fixed to ceiling to ensure that ceiling profile cannot escape
- Steel elements are Zinc plated
- System comes optionally with perimeter isolation strip to isolate the perimeter of the ceiling from the surrounding structures
- To assess if the Stravilink QRC system is appropriate CDM Stravitec's engineers will need the following information:

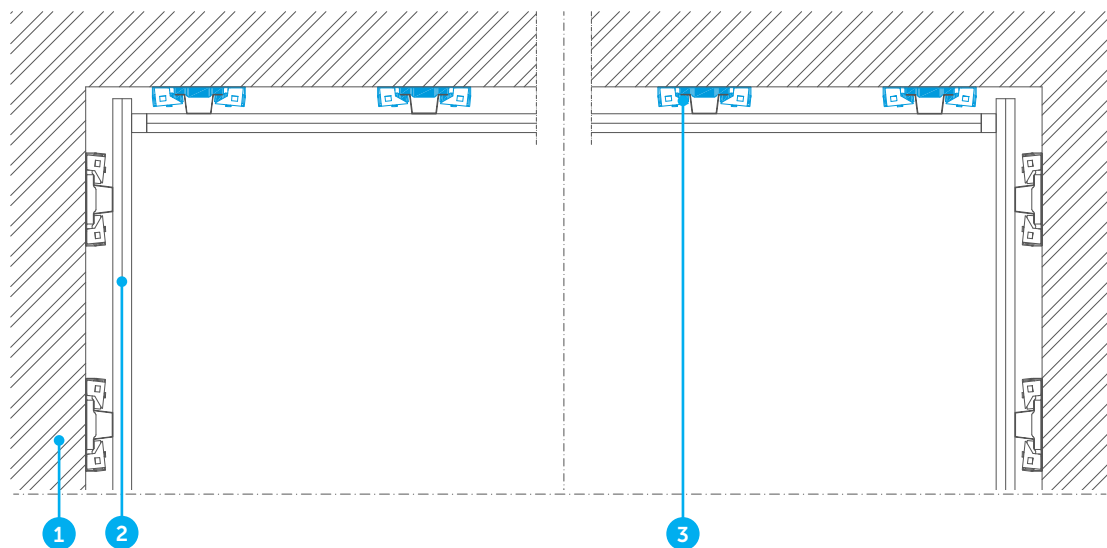
The weight and construction of the supported ceiling - this will determine the type of hanger

The weights and support locations of any items hung from the ceiling

*Previously known as CDM-QRC



TYPICAL ASSEMBLIES



1. Wall
2. Plasterboards, gypsum board or dry lining
3. Stravilink QRC

DISCLAIMER

This information is accurate to the best of our knowledge at the time of issue. Information, data and recommendations provided are based on industry accepted testing and prior product usage. It is intended as descriptive of the general capabilities and performance of our products and does not endorse applicability for any particular project. We reserve the right to change products, performance, and data without notice. This document replaces all information supplied prior to the publication hereof.