

Stravimech ElevatorFix^{*} Datasheet



Stravimech ElevatorFix is an [elevator guide rail isolation system](#) designed to minimise the amount of vibration and structure-borne noise transmitted by an elevator or lift.



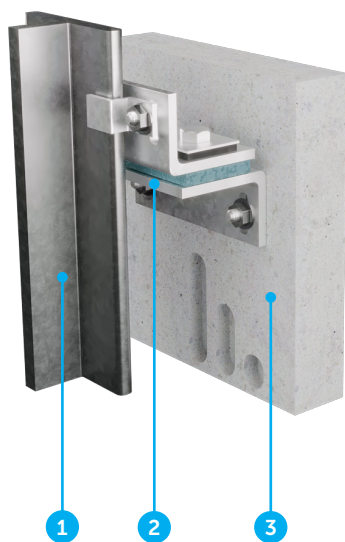
SYSTEM FEATURES

- Can be adapted to any guide rail fixing method
- Delivers approximately 10dB attenuation over traditional fixing methods
- Minimises differential movement of the rail due to dynamic forces
- The design of the Stravimech ElevatorFix will be carried out by CDM Stravitec's engineers using the following information:
 - Design of the guide rail fixing
 - Static and dynamic forces applied by the elevator to the fixings
 - Maximum allowable differential movement of the fixings in each direction
 - The required vibration isolation or structure-borne noise reduction performance criteria

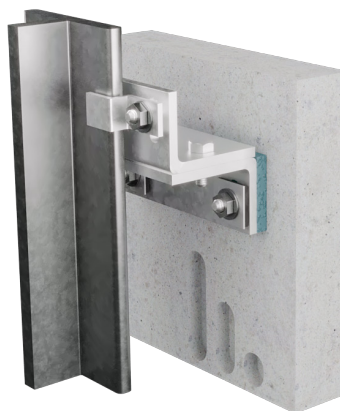
*Previously known as CDM-ELEVATOR-FIX



Stravimech ElevatorFix Type 1



Stravimech ElevatorFix Type 2



1. Elevator rail
2. Stravimech ElevatorFix
3. Elevator shaft

DISCLAIMER

This information is accurate to the best of our knowledge at the time of issue. Information, data and recommendations provided are based on industry accepted testing and prior product usage. It is intended as descriptive of the general capabilities and performance of our products and does not endorse applicability for any particular project. We reserve the right to change products, performance, and data without notice. This document replaces all information supplied prior to the publication hereof.