

Stravilink QR

Installation Manual

Installation Tools and Components

- Ink marker
- Pocket tape measure
- Cross line laser (optional)
- Chalk line with gear ratio
- Drilling machine
- Battery powered or manual screwdriver
- Personal protective equipment (PPE)

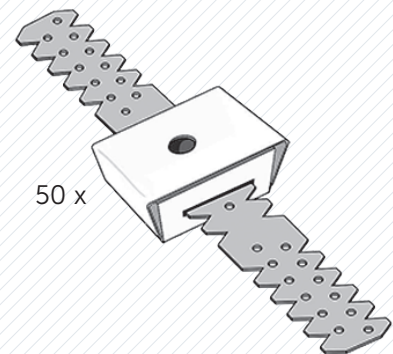
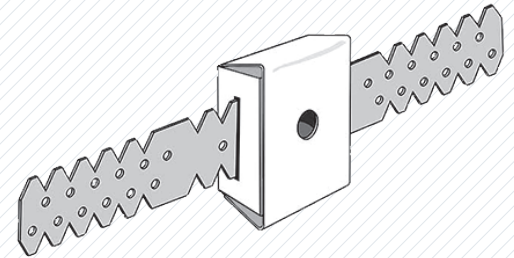
Description

Stravilink QR acoustic brackets are designed to isolate dry wall constructions from the base wall, improving the acoustic performance of the wall.

Stravilink QR-150  10 Kg (22 lbs) → 20 Kg (44 lbs)

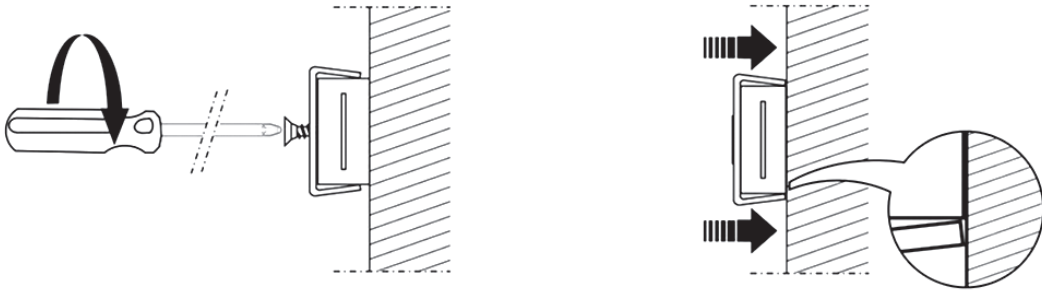


Supplied without fixings • Use devices suitable for the wall material type and load • Perimeter decoupling to be foreseen for ceiling/wall suspension • Distribution of the hangers as per above load capacity range and according to wall system supplier instructions • For more info check: www.cdm-stravitec.com



1

Use fixing devices suitable for the wall material type and load.



2



3



DISCLAIMER

This information is accurate to the best of our knowledge at the time of issue. Information, data and recommendations provided are based on industry accepted testing and prior product usage. It is intended as descriptive of the general capabilities and performance of our products and does not endorse applicability for any particular project. We reserve the right to change products, performance, and data without notice. This document replaces all information supplied prior to the publication hereof.