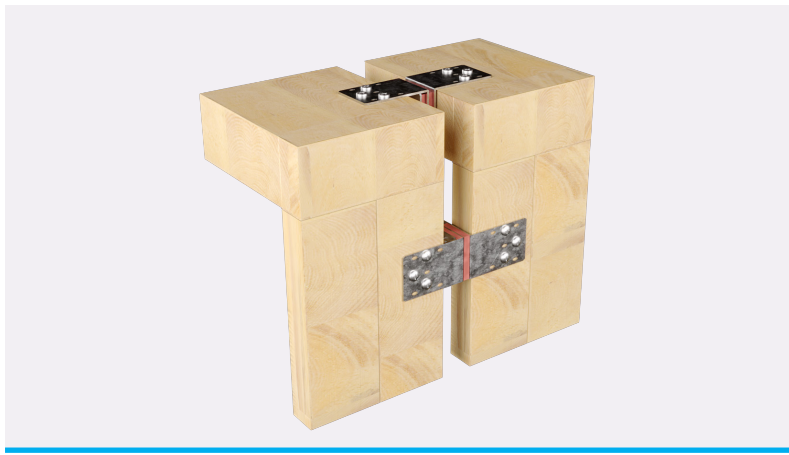


Straviwood ModuLink Datasheet



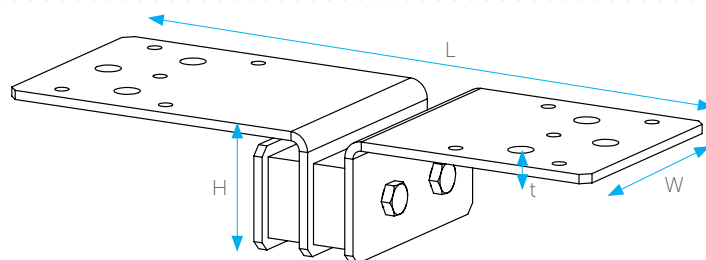
Straviwood ModuLink is a bracket for structural joints with acoustic isolation features thanks to the resilient pads in the bracket, giving significant reduction in flanking sound transmission, making it ideal to connect contiguous modular CLT constructions.

CHARACTERISTICS

- Ideal for horizontal connection of CLT modules
- Suited for all wood-based materials
- Pre-compressed in factory
- No additional tooling required for correct installation
- Galvanized steel
- Standard dimensions: 280 x 100 x 54 mm (0.8 kN & 2.4 kN) / 280 x 100 x 60 mm (6 kN)
- Application service class 1 and 2 (EN 1995-1-1:2004+A1:2008)

PHYSICAL & MECHANICAL PROPERTIES

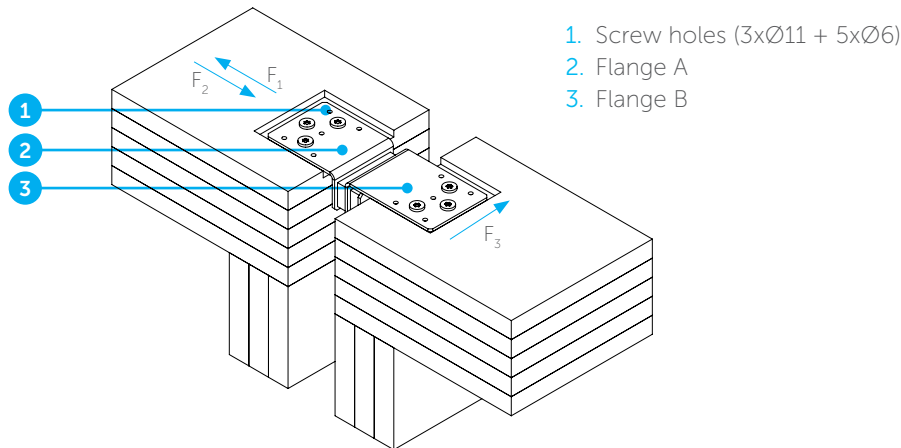
Type	Length (mm)	Width (mm)	Height (mm)	Fastening Holes		t (mm)
				Flange A	Flange B	
0.8 kN	280	100	54	3Ø11 / 5Ø6	3Ø11 / 5Ø6	4
2.4 kN	280	100	54	3Ø11 / 5Ø6	3Ø11 / 5Ø6	4
6 kN	280	100	60	3Ø11 / 5Ø6	3Ø11 / 5Ø6	6





DESIGN CAPACITIES & CHARACTERISTIC VALUES

- Design capacities & characteristic values per connection
- Valid for 1 bracket per connection; timber to timber.
- Applicable in service class 1 & 2 (EN 1995-1-1:2004+A1:2008).
- Referential values valid when using 3 HECO-TOPIX-plus 10x100, flange head screws (ETA-19/0553) per flange, and CLT C24 of 120 mm thickness with 3 layers of 40 mm.
- Extension of these values to other fasteners or other CLT types should be assessed according to the existing regulations by the structural engineer of the specific project.
- The amount of brackets per linear meter needs to be calculated on a project basis by the structural engineer.

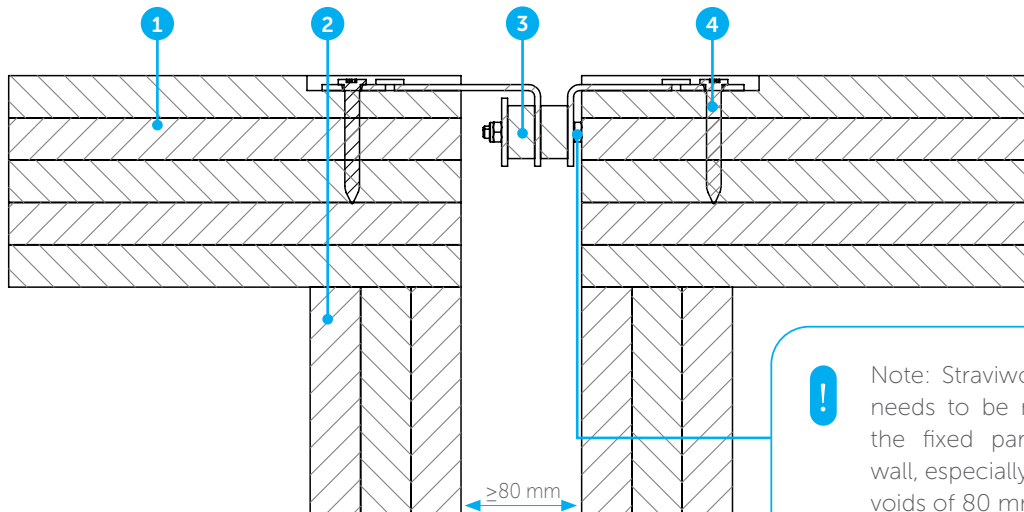


	R _{1/2,d} [N]	R _{1,k} [N]	K _{ser,1} [N/mm]	R _{2,k} [N]	K _{ser,2} [N/mm]	R _{3,k} [N]	K _{ser,3} [N/mm]
0.8 kN	800	3762	282	7075	378	1814	153
2.4 kN	2400	>3762*	>282*	>7075*	>378*	>1814*	>153*
6 kN	6000	**	**	**	**	**	**

* test results pending. ** Test results upon request.



TYPICAL ASSEMBLIES



1. Structural CLT floor
2. CLT wall

3. Straviwood ModuLink
4. Screws



Note: Straviwood ModuLink needs to be mounted with the fixed part against the wall, especially when used in voids of 80 mm.

DISCLAIMER

This information is accurate to the best of our knowledge at the time of issue. Information, data and recommendations provided are based on industry accepted testing and prior product usage. It is intended as descriptive of the general capabilities and performance of our products and does not endorse applicability for any particular project. We reserve the right to change products, performance, and data without notice. This document replaces all information supplied prior to the publication hereof.