

Stravilink CC60

Installation Manual

Installation Tools and Components

- Ink marker
- Pocket tape measure
- Cross line laser
- Chalk line with gear ratio
- Drilling machine
- Battery powered screwdriver
- Personal protective equipment (PPE)

Description

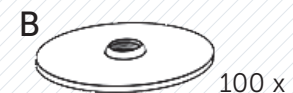
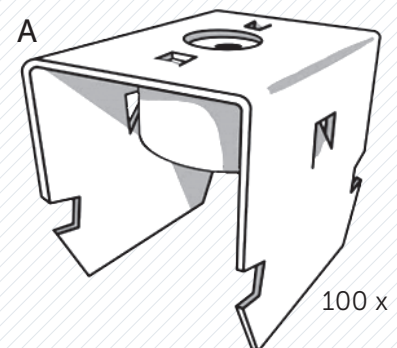
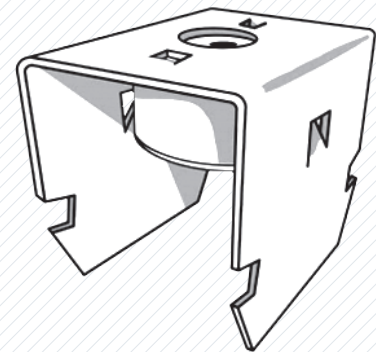
Stravilink CC60 Elastomer Acoustic Suspension Hangers have been designed to suspend acoustic ceilings using 60 mm (2-23-64") standard profile (or CDM Stravitec GK1 Profile), improving airborne isolation performance.

Stravilink CC60-150  10 Kg (22 lbs) → 20 Kg (44 lbs)

Stravilink CC60-350  20 Kg (44 lbs) → 45 Kg (99 lbs)

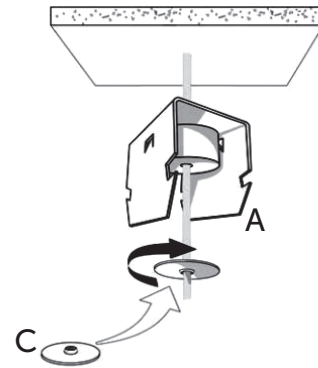
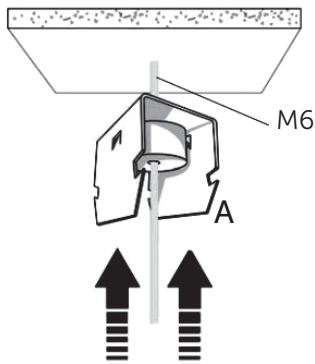


Supplied without fixings • Use devices suitable for the wall material type and load • Perimeter decoupling to be foreseen for ceiling/wall suspension • Distribution of the hangers as per above load capacity range and according to wall system supplier instructions • For more info check: www.cdm-stravitec.com

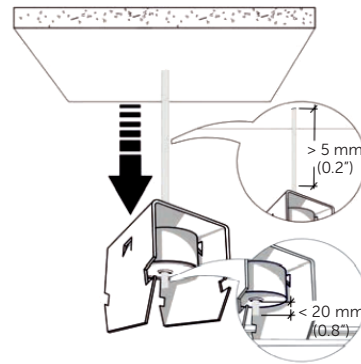
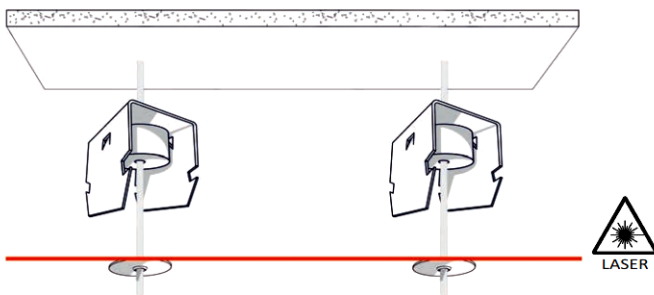


1

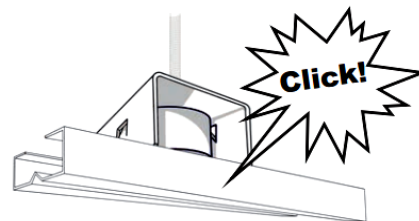
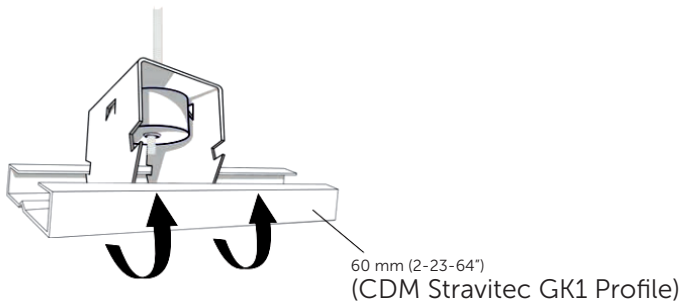
Use fixing devices suitable for the wall material type and load.



2



3



DISCLAIMER

This information is accurate to the best of our knowledge at the time of issue. Information, data and recommendations provided are based on industry accepted testing and prior product usage. It is intended as descriptive of the general capabilities and performance of our products and does not endorse applicability for any particular project. We reserve the right to change products, performance, and data without notice. This document replaces all information supplied prior to the publication hereof.